



CDE1 Specification

Contents

1、 About the user manual.....	2
2、 External Dimensions.....	2
3、 CDE1 Function Summary.....	3
4、 Operating Instructions.....	3
5、 Cable outlet define.....	4
Other items.....	4

CDE1

1、 About the user manual

Dear users,

To ensure better performance of your e-bike, please read through the CDE1 inspection carefully before using it. We will inform you of all the details, including the installation and setting of the hardware and normal use of the display with the most concise words. Meanwhile, the specification will also help you solve possible malfunction.

2、 External Dimensions

Dimension

Dimension in figure1 :(unit: mm)

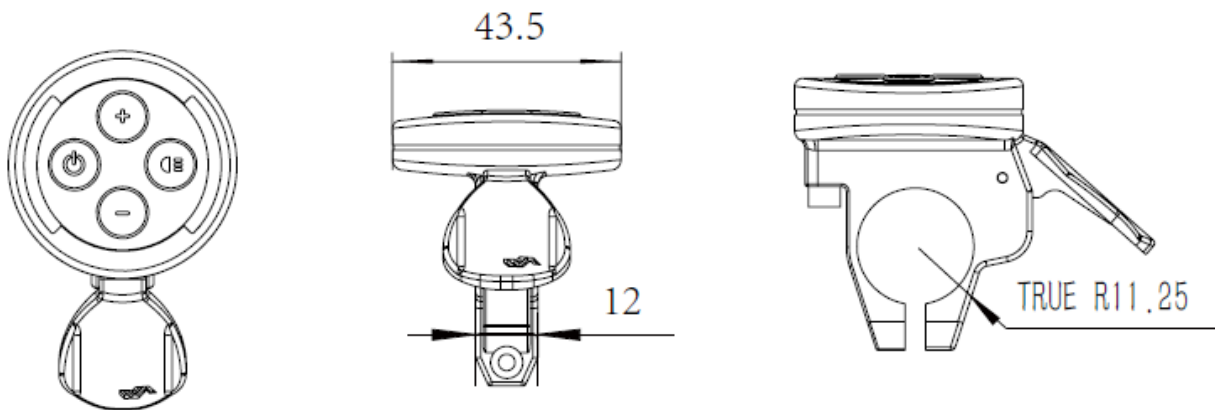


Figure 1

3、 CDE1 Function Summary

CDE1 is a multi-function LED display that it can customize the four boot password and integrates the throttle. The main function include the power switch, battery indication, switch the assistance level, 36V or 24V headlamps switch function. It cooperate with the company of another product CDBL-C (turn bicycle brake lever to the electric brake lever). and will greatly simplify the handlebar part of the line

4、 Operating Instructions

- a. With the display off, press and hold the power button for 2 seconds, then you can turn on the power.
- b. Press the power button for 5 seconds to power off.
- c. With the display on, press the increase or decrease the assistance level button to adjust the gear. Gear into the gap, 1, 2, 3.
- d. With the display on, press the power led button to open 36V or 24V headlamps.
- e. You can set the throttle state according to customer requirements by the shifter throttle button.



power button



increase the assistance level button



decrease assistance level button



power led button



Shifter throttle button.



On the left side of the battery electric power display have four level, the green light for full power, yellow light for general power, red light for little power, and the red light flashing for the power is used up.



On the left side of gear

5、 Cable outlet define

The CDE1 has 8 cables outlet define and use 36V power supply. The 8 cables are 36V wire, ground wire, switch wire, throttle wire, up message wire, down message wire, 5V wire, lighting calls wire.