

CDC11 DISPLAY

User manual



FIVE
Fabbrica Italiana Veicoli Elettrici

Five srl
Via Cerodolo, 4 - 40138 Bologna

Index

- 1 Product introduction – p.2
- 2 Functions summary – p.3
- 3 Technical parameters – p.4
- 4 Dimensions – p.5
- 5 Installation instructions – p.6
- 6 Button definition – p.7
- 7 Main interface – p.8
- 8 Board terminal cable sequence schematic diagram – p.9
- 9 Frequent questions – p.9
- 10 Error codes – p.10

1.Product Instruction

CDC11 display uses the 2.4" LCD color screen features a very clear display interface, with backlight crepuscular sensor.

Double side printed board, nylon buckle and ABS material shell. Good mechanical performance is ensured in a temperature range from -20° to 6°. It also features IP65 protection to water infiltration.

The display can match 24V/36V/48V battery; it integrates front light switch function.

Main interface has two background colors, white or black (day/night), switching automatically between the two themes (thanks to a crepuscular sensor) and always providing a clear visibility for every external light condition.

2. Functions summary

- ▷ Total distance (odometer) / trip distance
- ▷ Maximum speed / average speed
- ▷ Current speed
- ▷ km/miles unit switch
- ▷ Integrated lights on/off indicator on display
- ▷ PAS (pedal assist system) level selection
- ▷ Battery residual capacity
- ▷ Error code definition
- ▷ USB charging function
- ▷ 6Km/h walk assistance function



day

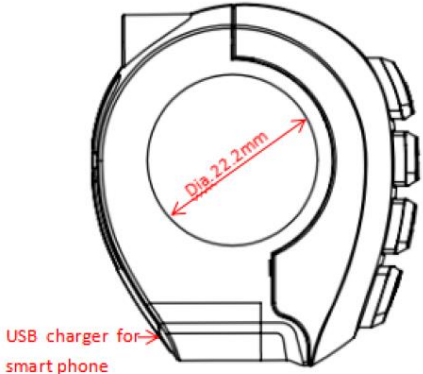
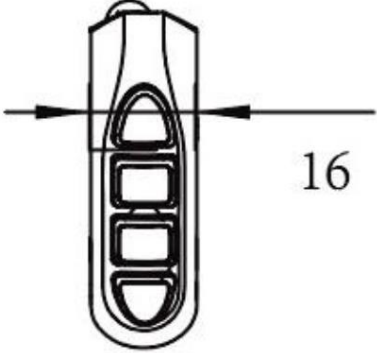
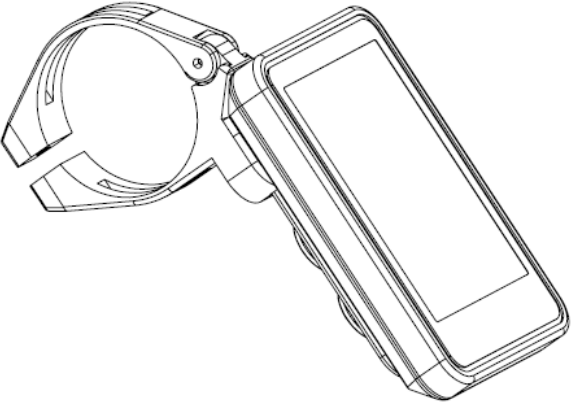
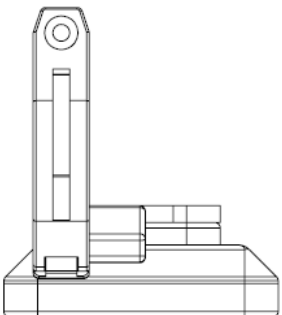
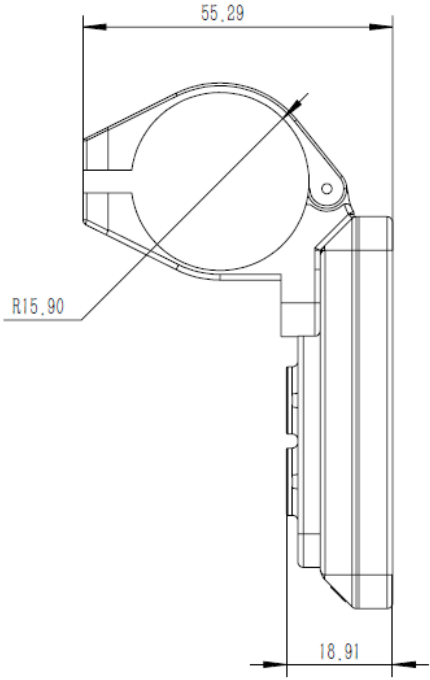
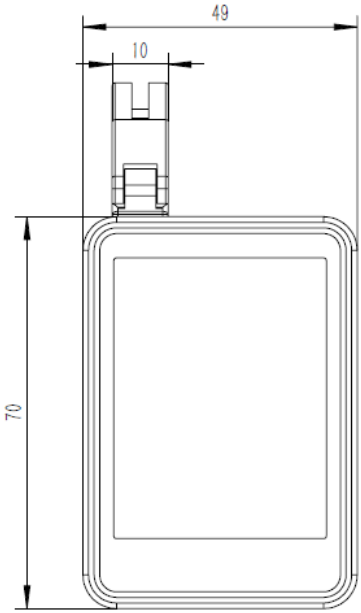


night

3. Technical parameters

- Voltage: 24V / 36V / 48V
- Current: 24V / 35mA, 36V / 27mA, 48V / 24mA
- Ambient temperature limits: -20° / +60°
- Ambient humidity limits: 0-100% RH (relative humidity)
- Ingress Protection: IP65
- Screen viewing angle: 160° Horizontal / 160° Vertical
- Screen brightness: 400~450 lumen (good visibility in sunlight)

4. Dimensions







5. Installation instruction

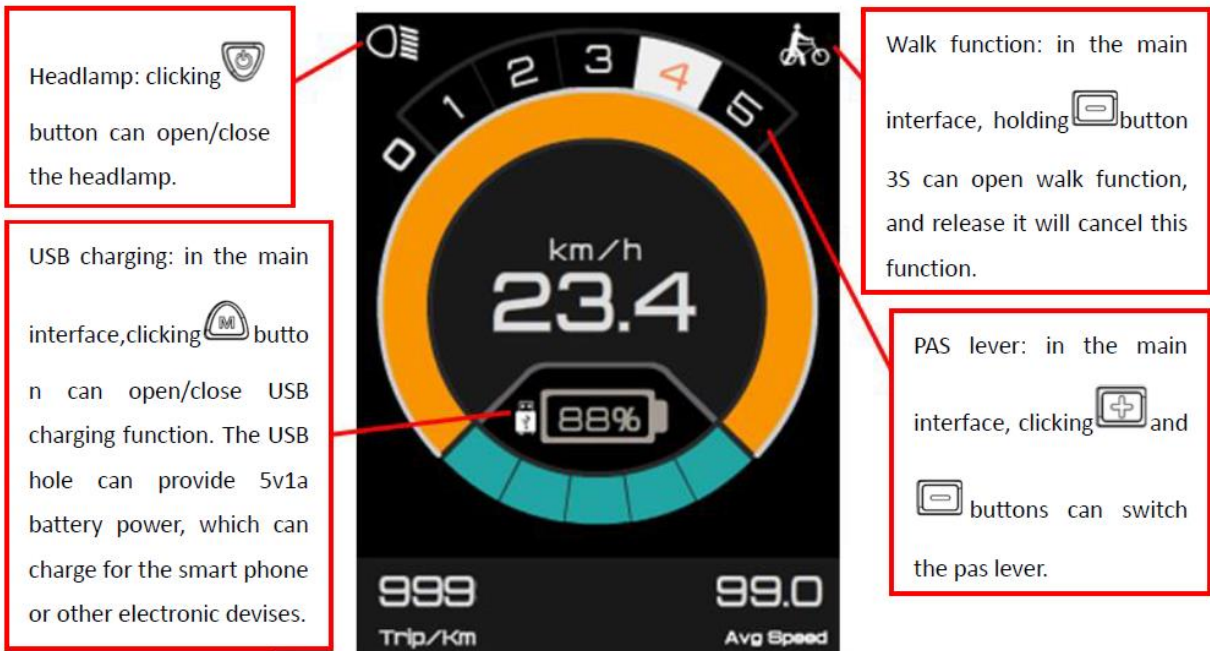
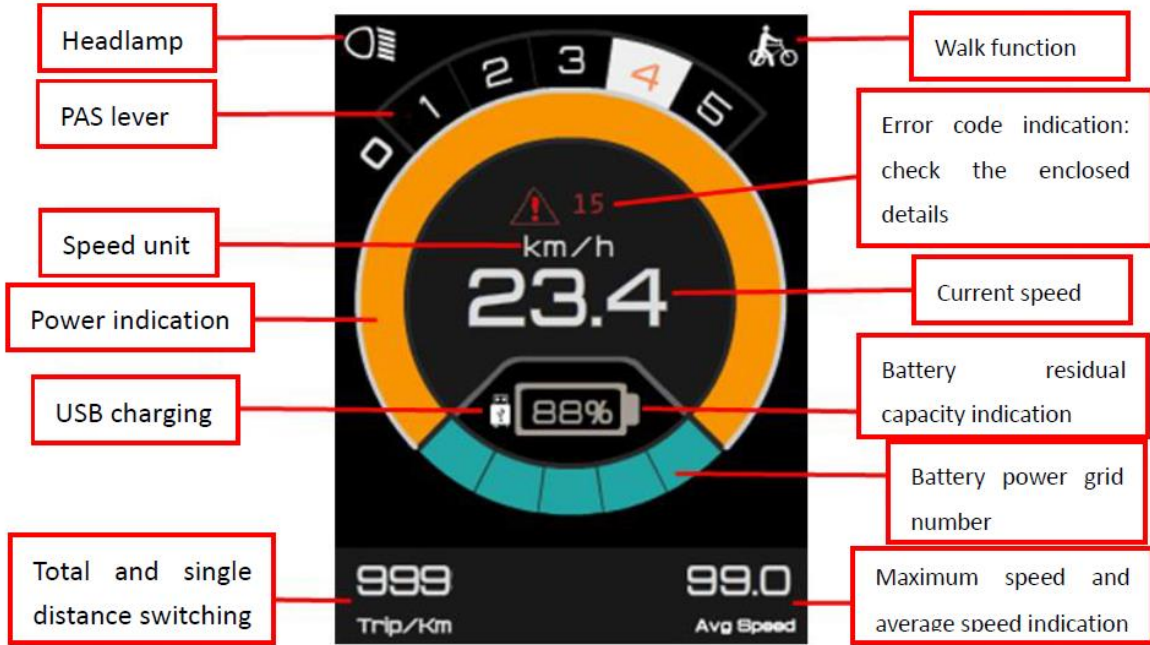


- Fix display and button panel on the handlebar
- Adjust the angle of view in a comfortable visible position
- Tighten the screws to finish the installation

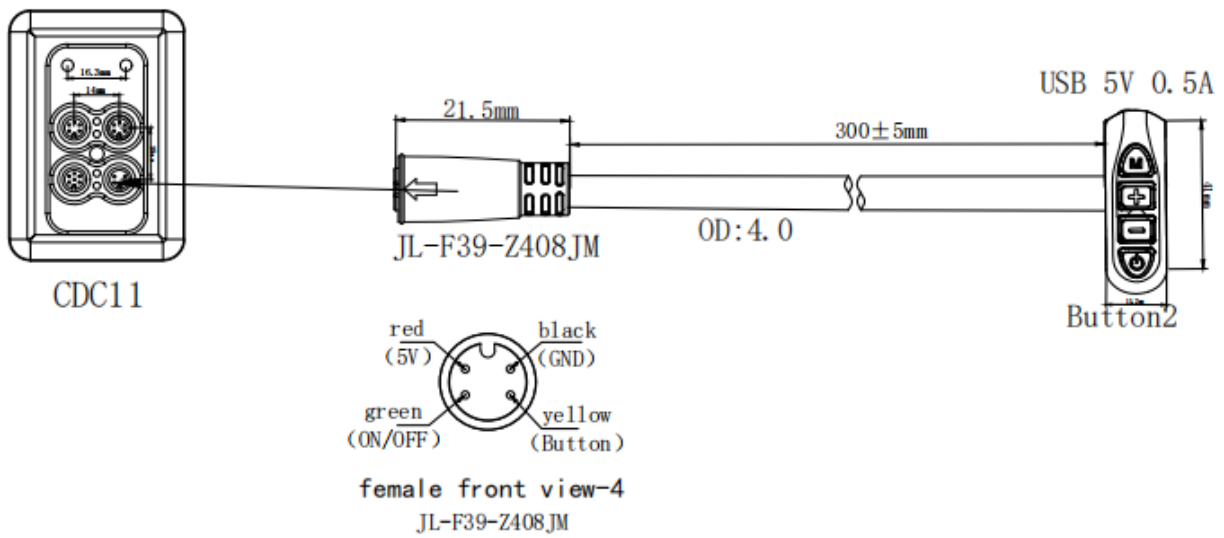
6. Button definition

Button	Operation	Function
	hold 3S	Nothing
	click	(In main interface) -> turn on/off usb charging function (In setting function) -> confirm (In passwords interface) -> switch the passwords digit
	hold 3S	Nothing
	click	(In main interface) -> Increase the lever (In setting interface) -> Switch the options (In passwords interface) -> Increase the numeric value
	hold 3S	(In main interface) -> 6Km/h walk function
	click	(In main interface) -> decrease (In setting interface) -> switch options (In passwords interface) -> decrease the numeric value
	hold 3S	-> Power off
	click	(When off) -> Turn power on (In main interface) -> Turn lamp on/off (In passwords input interface) -> Switch the password digit

7. Main interface instructions



8. Board terminal cable sequence diagram



9. Q&A

Q

Why the display is not able to start up?

A

Check the connector between display and controller.

Q

How to deal with the error code?

A

Ask the customer care at your local dealer.

10. Error codes

Error code	Definition
2	<p>Over current protection (controller)</p> <ul style="list-style-type: none"> - Check whether the connectors of 3-phase power cable and the connectors are badly connected. - If the problem is still present after re-connect the connectors, there is something wrong with the controller or motor.
3	<p>Controller cannot properly drive the motor</p> <ul style="list-style-type: none"> - Check whether the connectors of 3-phase power cable and the power supply connectors are badly connected. - Check if there's not enough power to drive the system than 2S, such as climbing, or the wheel is stuck - If the problem is still present after re-connect the connectors, there is something wrong with the controller or motor.
4	<p>Undervoltage protection</p> <ul style="list-style-type: none"> - Battery voltage is too low.
5	<p>Brake problem</p> <ul style="list-style-type: none"> - After turning on, check whether the brake sensor is working properly. - If the brake signal is less than 0.75V for very a long time, there is something wrong with the brake.
6	<p>Signal problem</p> <ul style="list-style-type: none"> - Check whether the connector of the motor's cable is well connected. - if the problem is still present after re-connecting, the motor sensor may be broken.
7	<p>Throttle problem</p> <ul style="list-style-type: none"> - After turning on, check whether: <ul style="list-style-type: none"> A) the throttle is out of control B) the throttle signal is less than 0.75V C) customer turns the throttle before the system works. - The error can be solved after throttle is reset.
8	<p>Broken controller</p>
A/10	<p>Display / controller communication problem</p> <ul style="list-style-type: none"> - yellow cable is disconnected.
D/13	<p>Controller program is wrong / 5V is wrong</p> <ul style="list-style-type: none"> - check whether the brake signal short with 5V.

WARNING: any alteration of the ebike electronic system will result in warranty decay.

*Thank you for your attention
enjoy the ride!*

FIVE
Fabbrica Italiana Veicoli Elettrici